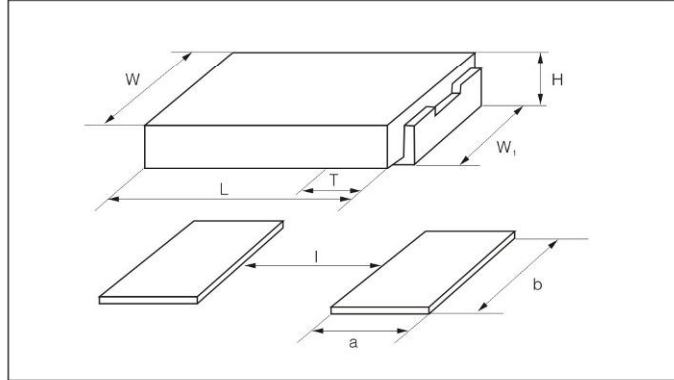




## Construction



## Features

- Resistive element made of E-Beam welded Nickel-chrome or manganin
- High strength, stability, reliability and excellent solderability
- Low thermal EMF, very low inductance (0.5nH to 5nH)
- Molded high temperature encapsulation
- Proprietary processing technique produce extremely low resistance value
- WFL5 improved the capability of heat treatment in design

## Dimensions(mm)

Type	L	H	T	W	W <sub>1</sub>
WFL2 WFL3	11.56 ± 0.813	2.41 ± 0.127	2.54 ± 0.254	6.98 ± 0.127	5.46 ± 0.127

Type	a	b	l
WFL2 WFL3	3.94	5.84	5.21

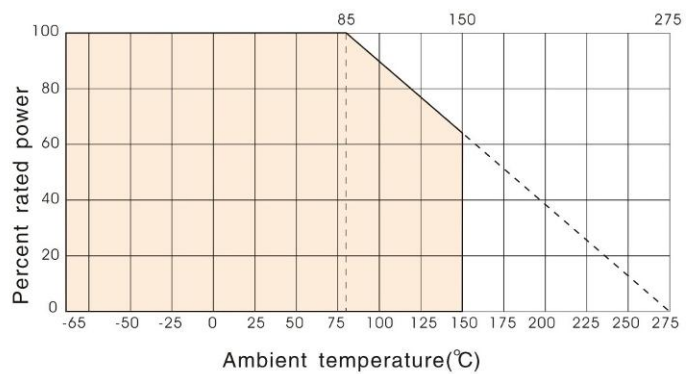
## Applications

- Ideal for functional power supply
- Instruments
- circuit applications including current sensing sampling and power amplifiers, etc

## Reference Standards

Q/ATK062

## Derating Curve



## ■ Technical Specifications

Type	Dimensions	Power rating (W)	Resistance range(Ω)		TCR (10 <sup>-6</sup> /K)	Insulation Voltage(VAC)	Insulation Resistance(Ω)	Weight/1000pcs(g)
			± 0.5%	± 1%				
WFL2	4527	2.0	0.01~0.05	0.001~0.05	± 50	> 500	> 10 <sup>9</sup>	440
WFL3	4527	3.0	0.01~0.05	0.001~0.05	± 100	> 500	> 10 <sup>9</sup>	440

## ■ Performance

Test item	Specifications	Test Methods
Thermal Shock	$\Delta R \leq \pm (0.5\% + 0.0005 \Omega)$	-65°C / 150°C, 15min, 1000cycles
Over Load	WFL2: $\Delta R \leq \pm (0.5\% + 0.0005 \Omega)$ WFL3: $\Delta R \leq \pm (2\% + 0.0005 \Omega)$	WFL2: 5P <sub>R</sub> , 5S WFL3: 4P <sub>R</sub> , 5S
Low Temperature Storage	$\Delta R \leq \pm (0.5\% + 0.0005 \Omega)$	-65°C, 24h
High Temperature Storage	$\Delta R \leq \pm (1.0\% + 0.0005 \Omega)$	275°C, 1000h
Damp heat, Steady state	$\Delta R \leq \pm (0.5\% + 0.0005 \Omega)$	40°C, RH93±3%, 0.1P <sub>R</sub> , 1000h
Mechanical Shock	$\Delta R \leq \pm (0.5\% + 0.0005 \Omega)$	100g, 6ms, 5cycles
Vibration	$\Delta R \leq \pm (0.5\% + 0.0005 \Omega)$	10~2000HZ, 12h
Load Life	WFL2: $\Delta R \leq \pm (1.0\% + 0.0005 \Omega)$ WFL3: $\Delta R \leq \pm (2.0\% + 0.0005 \Omega)$	70°C, P <sub>R</sub> , 1000h
Leaching	$\Delta R \leq \pm (0.5\% + 0.0005 \Omega)$	+260°C, 10S

## ■ How To Order

### Example

WFL	2	3W	0.05mΩ	± 1.0%	box	330mm	1000
Type	Style	Power	Nominal Value	Tolerance	Packaging	Diameter	Weight
WFL	2 3	2W 3W	0.05mΩ	± 0.5% ± 1.0%	box	330mm	1000