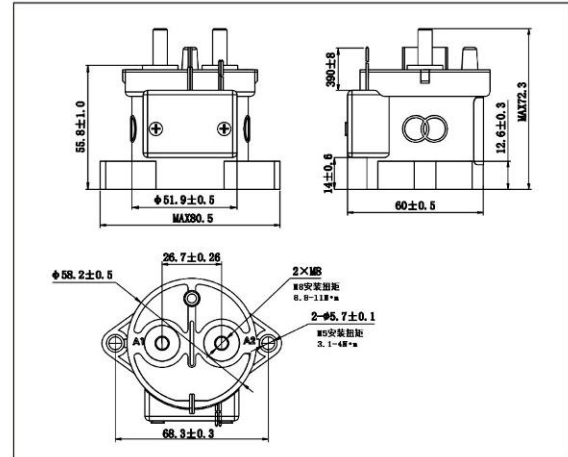


# SEV300/SEVI300 HIGH VOLTAGE DC CONTACTOR



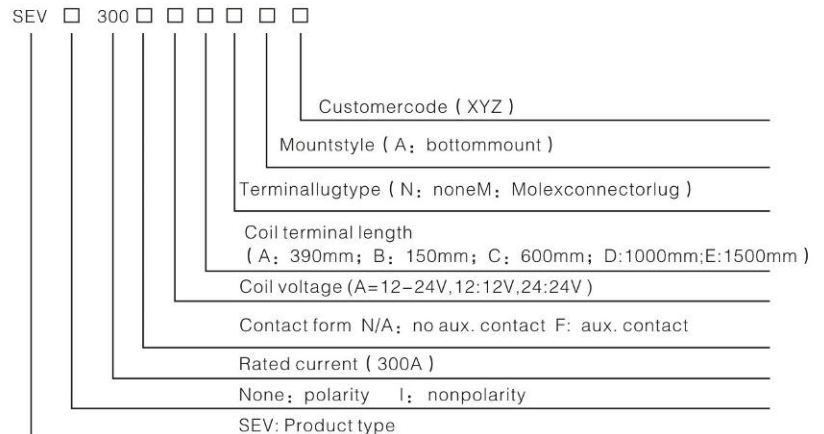
## Outline and Dimensions:



## Product features:

1. Small size, light weight, charging capacity above 500A, DC 450V maximum switching current 2000A.
2. External power saver, low power consumption.
3. optional auxiliary contacts to facilitate monitoring of the main contact state.
4. The product is completely sealed for inner part by using epoxy potting and sealing technology, which protects the coil and contact system from oxidation for a long time and has high safety.
5. The technology of permanent magnet arc extinguishing is adopted to ensure high reliability.
6. Implementation criteria: GB/T14048.5-2017 GB/T14048.4-2010
7. Certification: CCC number 2018010304141552

## Type introduction:



## Application:

Mainly used in high voltage main circuit, pre-charge circuit, slow charging circuit, fast charging circuit, high voltage auxiliary system of electromobile ,as well as high voltage main circuit system in charging pile, power control system of wind power, photovoltaic.

## Coil operating voltage:

Item	Nominal Voltage	9-36VDC	12VDC	24VDC
1	Voltage (Max.)	36VDC	16VDC	28VDC
2	Pickup (close) Voltage Max.	9VDC	9VDC	18VDC
3	Hold Voltage (Min.)	7.5VDC	6VDC	12VDC
4	Dropout (open) Voltage (Min.)	6VDC	1.2VDC	2.4VDC
5	Inrush Current (Max.)	3.8A	2.5A	2.5A
6	Inrush Time (Max.)	130ms	130ms	130ms
7	Holding Current (Avg.)	0.13A(12V) 0.07A(24V)	500mA	250mA
8	Holding power (Avg.)	2.5W	6W	6W
9	starting power(Max.)	45W	30W	30W

# SEV300/SEVI300 HIGH VOLTAGE DC CONTACTOR

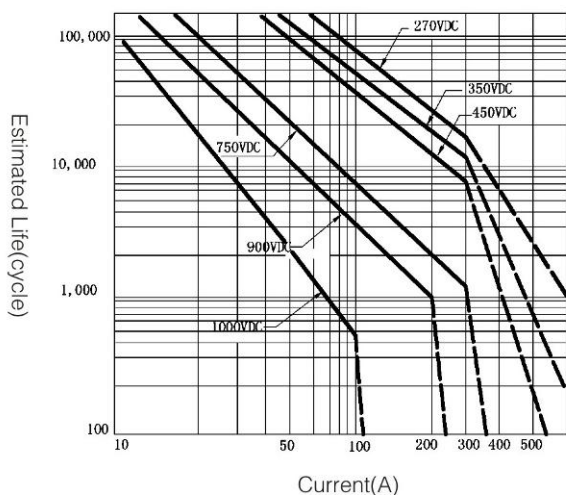


## Performance parameter:

category	Paramaters	Units	Values
Main contactor	Contact Arrangement,Main Contacts	/	1 Form X(SPST NO DM)Polar, non – polar two options
	Rated Operating Voltage	VDC	12–1000
	Break Current at 320VDC	A	3000,once ( Cycle )
	Standard contact resistance ( @100A )	mΩ	≤0.2
	Dielectric withstanding voltage	VAC	2500, ( 5mA, 60s )
	At DC 1000V insulation resistance	MΩ	≥100
Aux. contact	Aux. contact、 contact form	/	1 Form A ( SPST NO )
	Aux. contact max current	A	30VDC 2A; 125VAC 3A
	Aux. contact min current	mA	8V 100mA
	Aux. contact max contact resistance	Ω	30VDC 0.417;125VAC 0.150
life	Load life	(300A/450V)	$6 \times 10^3$
		(300A/750V)	$10^3$
	Mechanical life	cycle	$3 \times 10^5$
operate/ release	Operate time(includes bounce )	ms	≤15
	Release time	ms	≤12
Environ-ment	Shock, 11ms,1/2 Sine, Peak ,Pick up	G	50
	Vibration , Sine, 80–2000Hz,Peak	G	20
	Working tempt.	°C	-40 ~ +85
	Standard weight	g	≤450

## Product life estimated(make/break):

Product life estimated(make/break) curve under resistive load



Continuous current range

