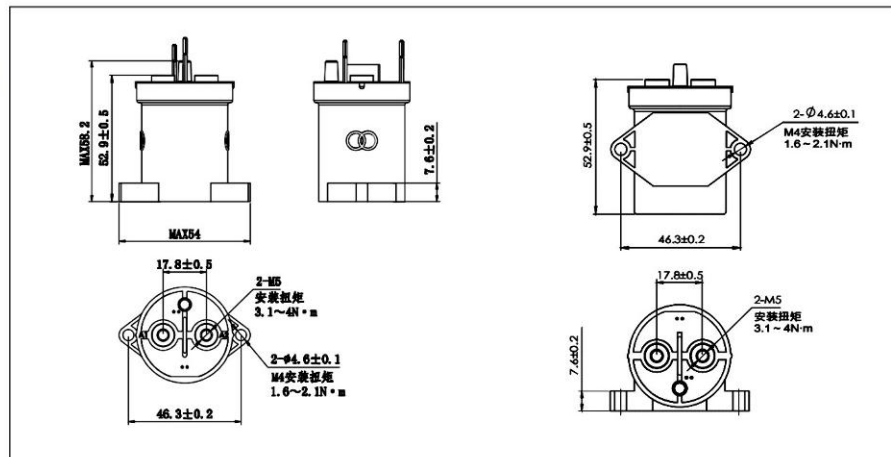


# SEV100/SEVI100 HIGH VOLTAGE DC CONTACTOR



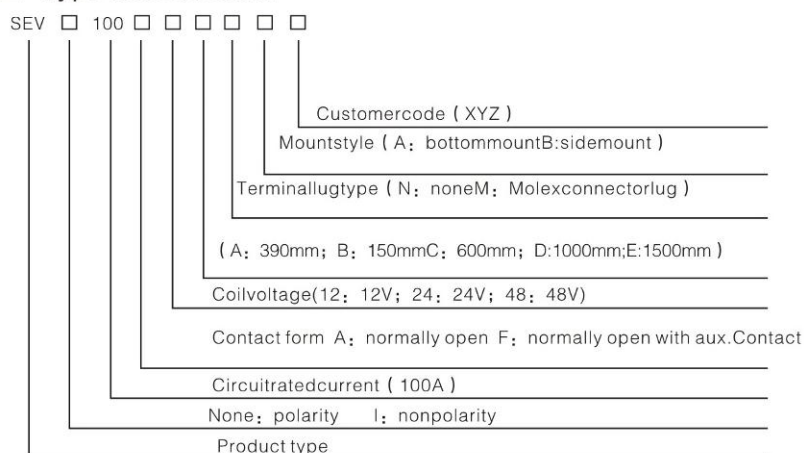
## Outline and Dimensions:



## Product features:

- 1、 Full seal construction , high safety
- 2、 Coil voltage: 12、 24 、 48 Vdc。
- 3、 Small size, high switching power
- 4、 Full sealed inside by epoxy encapsulation technology to insure coil and contactor against being oxidized for long time
- 5、 Use permanent magnet to eliminate electric arc, high reliability
- 6、 Implementation criteria: GB/T14048.5-2017
- 7、 Certification: CCC number 2017010303999702

## Type introduction:



## Application:

Mainly used in high voltage main circuit, pre-charge circuit, slow charging circuit, fast charging circuit, high voltage auxiliary system of electromobile ,as well as high voltage main circuit system in charging pile, power control system of wind power, photovoltaic.

## Coil operating voltage:

Item	Nominal Voltage	12VDC	24VDC	48VDC
1	Voltage (Max.)	16VDC	28VDC	52VDC
2	Pickup (close) Voltage (Max.)	9VDC	18VDC	36VDC
3	Dropout (open) Voltage (Min.)	1.2VDC	2.4VDC	4.8VDC
4	Coil Current	461mA	250mA	122mA
5	Coil Power ( 20°C )	5.5W	6.0W	6.0W
6	Coil Resistance ( 20°C ) ± 10% Ω	25	95	392

# SEV100/SEVI100 HIGH VOLTAGE DC CONTACTOR

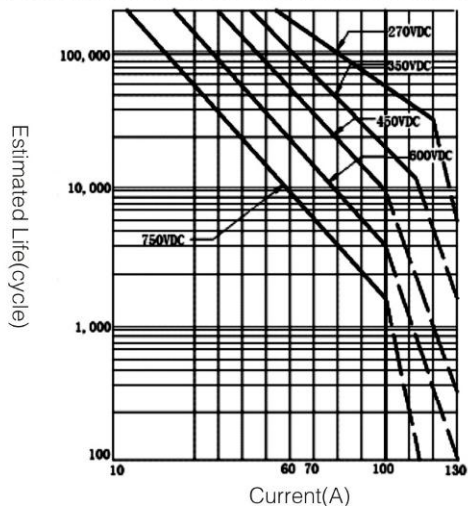


## Performance parameter:

category	Parameters	Units	Values
Main contactor	Contact Arrangement, Main Contacts	/	1 Form X(SPST NO DM)Polar, non – polar two options
	Rated Operating Voltage	VDC	12–1000
	Break Current at 320VDC	A	1000, once ( Cycle )
	Standard contact resistance ( @100A )	mΩ	≤0.35
	Dielectric withstanding voltage	VAC	2500, ( 5mA, 60s )
	At DC 1000V insulation resistance	MΩ	≥100
Aux. contact	Aux. contact、 contact form	/	1 Form A ( SPST NO )
	Aux. contact max current	A	30VDC 2A; 125VAC 3A
	Aux. contact min current	mA	8V 100mA
	Aux. contact max contact resistance	Ω	30VDC 0.417; 125VAC 0.150
life	Load life	100A/450V	9*10 <sup>3</sup>
		100A/750V	10 <sup>3</sup>
		65A/1000V	2*10 <sup>3</sup>
	Mechanical life	cycle	2*10 <sup>6</sup>
operate/ release	Operate time(includes bounce )	ms	≤25
	Release time	ms	≤10
Environ-ment	Shock, 11ms, 1/2 Sine, Peak ,Pick up	G	50
	Vibration , Sine, 80–2000Hz, Peak	G	20
	Working tempt.	°C	-40 ~ +85
	Standard weight	g	≤195

## Product life estimated(make/break):

Product life estimated(make/break) curve under resistive load



Continuous current range

