

FL-2(T) Interchangeable shunts



Application

The interchangeable shunts are used to multiply the measuring range of current of measuring instruments.

Basic specifications

Accuracy class: 0.5 for 2~4000A; 1 for 5000~10000A

Ambient conditions: Temperature: -40~+60°C

relative humidity: ≤95% (at 35°C)

Capacity withstand mechanical force:

It is capable of withstanding the transport bumping at acceleration of 70/s² and shock frequency of 80~120 times/mi for hr.

overrating capacity: 120% of rated current for 2hr.

Voltage drop: 75mV, 50mV, 60mV, 100mV.

Giving out heat when loaded: not be more than 80°C after temperature rise gets steady: not be more than 120°C at rated current of over 50A.

High temperature high current

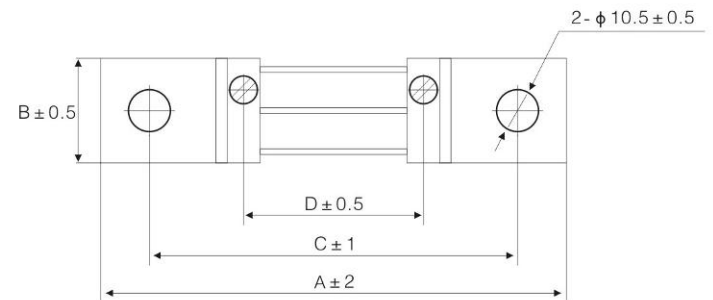
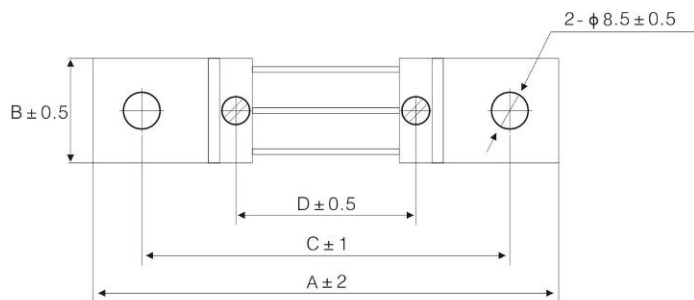
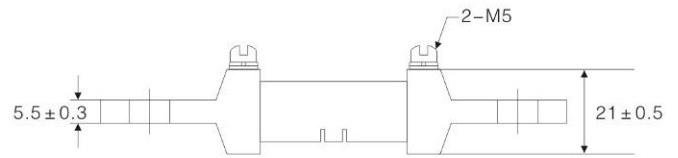
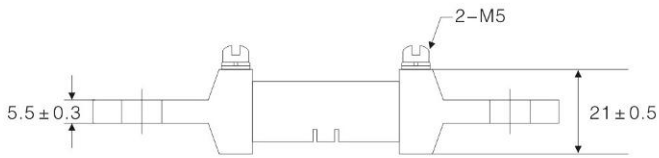
■ Dimensions (mm)

Rated Current (A)	Dimensions (mm)															
	100mV				75mV				50mV				25mV			
	A	B	C	D	A	B	C	D	A	B	C	D	A	B	C	D
50	146	22	115	69	116	22	85	39	116	22	85	39	101	22	70	24
100																
200		26	120		126	26	100	49	111	26		34	75			
300																
400		38	76		96	38	76	96	38	76		96				
500																
600		45	96		96	45	96	96	45	96		96				
750																
1000		62	96		96	62	96	96	62	96		96				
1250																

FL-2(T) Interchangeable shunts

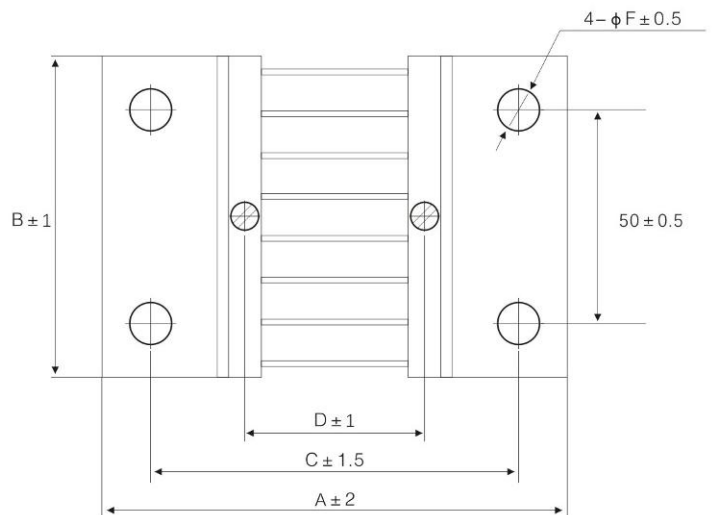
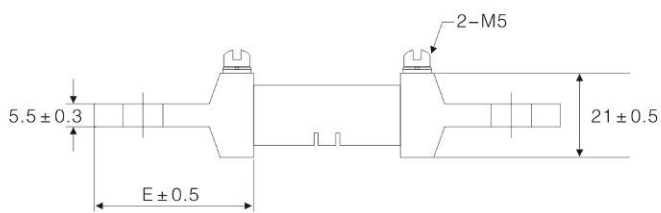


Construction (mm)



50A~200A

300A~600A



750A~1250A