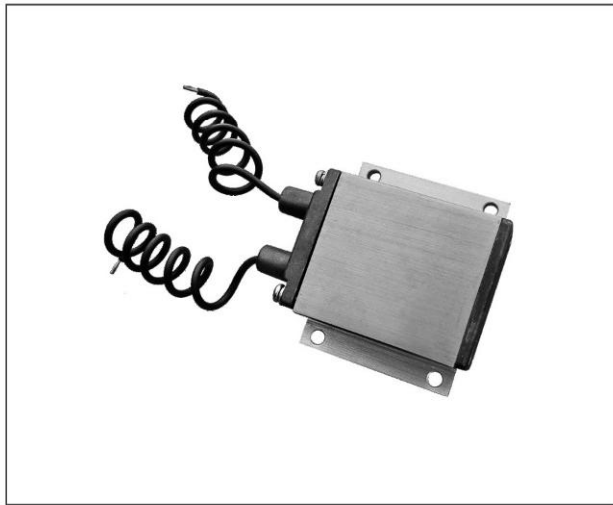
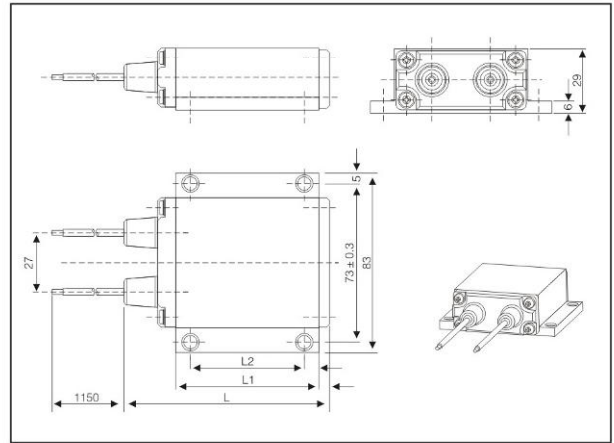


RXLG-T

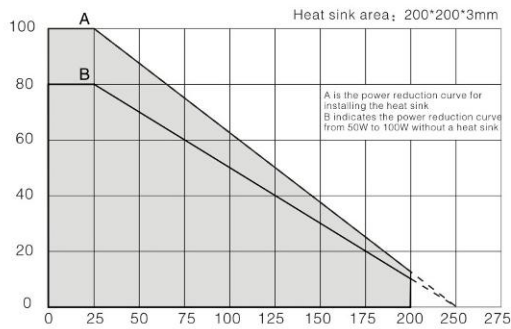
Power aluminium alloy encased resistors



Construction(mm)



Derating Curve



Dimensions(mm)

Power	L ± 1	L1 ± 0.5	L2 ± 0.3
60W	74	45	31
80W	95	66	52

Performance

Characteristics	Specifications	Test Methods
Short-term overload	$\Delta R \leq \pm (2\%R + 0.05\Omega)$	$\sqrt{5PR}$ 5s
Withstanding Voltage	No mechanical damage, No breakdown flying arc	6000Vac 1mA 60s ± 5s
Insulation resistance	$\geq 1G\Omega$	Measuring Voltage: 500 ± 50V
TCR	$\pm 260(10^{-6}/K)$	GB/T 5729-2003 Article 4.8
Reduce Power Loss	When the ambient temperature rises from 25 ° C to 250 ° C, the allowable load of the resistor is reduced from 100% of the rated power to 0%	
long term life	$\Delta R \leq \pm (5\%R + 0.1\Omega)$	1000h, 1.5h energized, 0.5h de-energized
surface temperature rise	$\leq 210^{\circ}C$	GB/T 5729-2003 Article 4.14 rated power to achieve thermal equilibrium